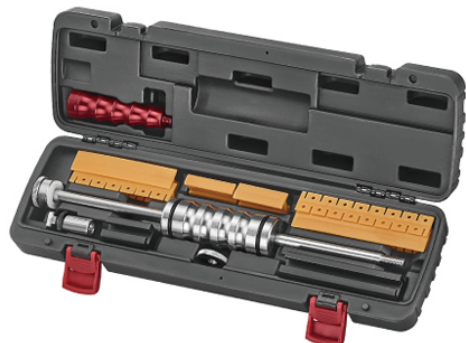
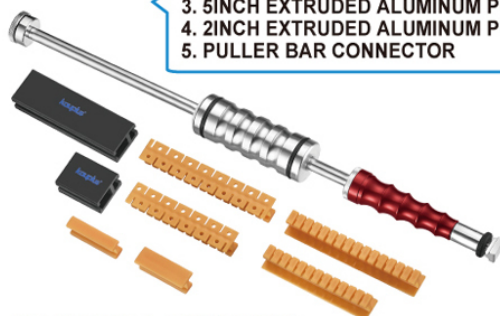


### BS-9421N

DENT PULLER SLIDING SET WITH 6PCS PULLER TABS-  
WITH EXTRUDED ALUMINUM PULLER BAR



BS-9421N: BMC PACK



BS-9421N-1: BOX PACK

- 1. SLIDING HAMMER
- 2. 6PCS PULLER TABS
- 3. 5INCH EXTRUDED ALUMINUM PULLER BAR
- 4. 2INCH EXTRUDED ALUMINUM PULLER BAR
- 5. PULLER BAR CONNECTOR



### BS-9181-1

HINGE MASTER



### BS-9294

11PCS SCRAPER TOOL



• Material:  
PA+Fliber33%

### BS-9463

DOOR ADJUST TOOL, CAR DOOR ALIGNMENT TOOL

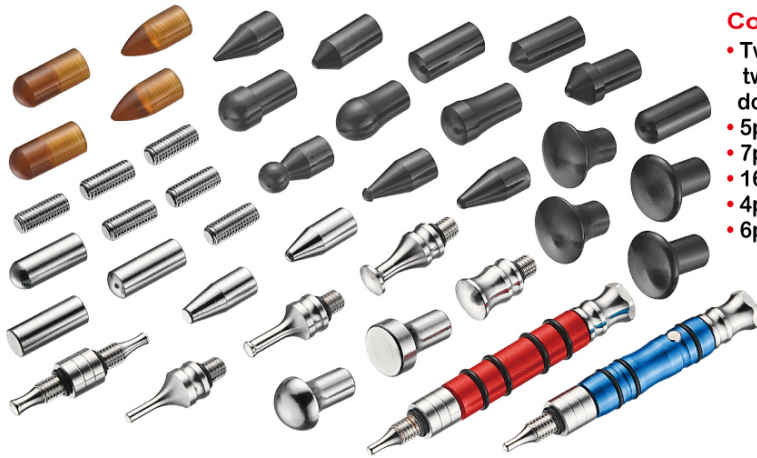




# INTERCHANGEABLE TIP TAP DOWN TOOL SETS



www.kaupa.com.tw



### Contents:

- Two precision Aluminum body with two Interchangeable stainless tap down pen
- 5pcs Stainless Tip Tap Down Head
- 7pcs Carbon Steel Tip Tap Down Head
- 16pcs POM Tip Tap Down Head
- 4pcs PEI Tip tap Down Head
- 6pcs Connector Screw

### BS-9428

- This premium Interchangeable Tip Tap Down Tool Set is a must-have for precision work, offering a variety of interchangeable heads and durable construction. Ideal for both DIY enthusiasts and professional technicians, this set ensures reliable performance and excellent quality.
- This set is engineered to tackle a variety of dents with precision and ease, making it an invaluable tool for any repair job. The interchangeable heads provide flexibility, allowing you to choose the perfect tip for any dent situation. The plastic tips are designed to avoid damaging the paint, ensuring a flawless finish every time.

#### 1. Precision Aluminum Body with Stainless Tap Down Pen:

- Includes two precision-engineered aluminum bodies for maximum durability.
- Each body comes with an interchangeable stainless steel tap down pen, perfect for a variety of tapping needs.

#### 2. Interchangeable Stainless Tip Tap Down Heads:

- Quantity: 5 pieces.
- Constructed from stainless steel for enhanced durability and corrosion resistance.

#### 3. Versatile Carbon Steel Tip Tap Down Heads:

- Quantity: 7 pieces.
- Made from robust carbon steel, ideal for maintaining a sharp edge and handling tough dents.

#### 4. Durable POM Tip Tap Down Heads:

- Quantity\*\*: 16 pieces.
- Made from high-strength POM (Polyoxymethylene) plastic, known for its low friction and excellent dimensional stability.

#### 5. High-Performance PEI Tip Tap Down Heads:

- Quantity: 4 pieces.
- Crafted from PEI (Polyetherimide) for high strength and chemical resistance.

#### 6. Secure Connector Screws:

- Quantity: 6 pieces.
- Ensure a stable and reliable connection between the tip heads and aluminum bodies.

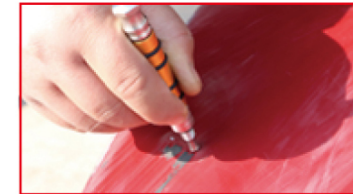
### APPLICATION:



1. Find the protrusion



2. Install the appropriate repair head



3. Align the protrusions that need to be repaired and strike them, as shown in the figure

KAUPA APP



E-mail: service@kaupa.com.tw

KAUPA INTERNATIONAL CO.,LTD