

PARTS CART & STAND

- Strong load bearing capacity
- Stable and durable
- Widely used
- Thickened steel plate

GT-9651S MODEL

GT-9652 MODEL

GT-9653L MODEL

GT-9656 MODEL

GT-9657 MODEL

GT-9627 MODEL

GT-9654 MODEL

GT-9661 MODEL

喬勝亞國際有限公司
KAUPA INTERNATIONAL CO.,LTD

地址: 411台中市太平區永豐路108西巷2-7號
Http: //www.kaupa.com.tw
Mail: service@kaupa.com.tw
TEL: +886-4-2277-8689

PART STAND

GT-9651 Multi functional rotating spray paint stand

Adjustable portable large rotating paint panel stand auto body paint holder stand spray display stand for doors bonnets bumpers size: 200*70*95cm

TECHNICAL PARMS	
N.W(kg)	22
G.W(kg)	23
Package size(cm)	130X29X15



GT-9651E Multi functional rotating spray paint stand

Adjustable portable large rotating paint panel stand auto body paint holder stand spray display stand for doors bonnets bumpers size: 120*70*95cm

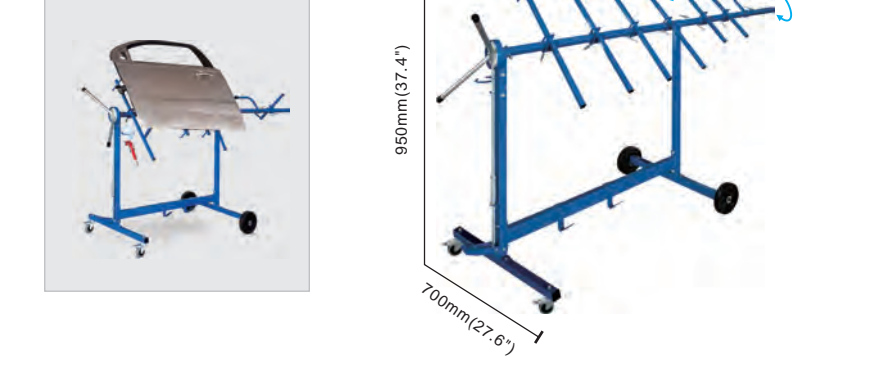
TECHNICAL PARMS	
N.W(kg)	19
G.W(kg)	21
Package size(cm)	130X29X15



GT-9651S Multi functional rotating spray paint stand

Adjustable portable large rotating paint panel stand auto body paint holder stand spray display stand for doors bonnets bumpers size: 200*70*95cm

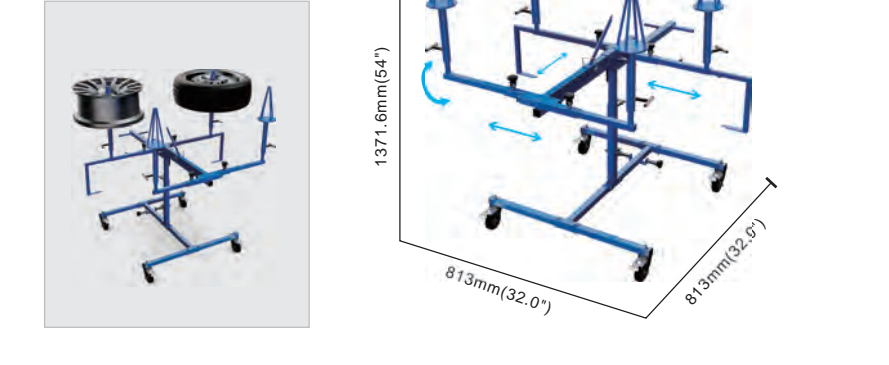
TECHNICAL PARMS	
N.W(kg)	23
G.W(kg)	24
Package size(cm)	130X29X15



GT-9652P Ultra panel rack

This is a specified paint stand for engine hood, door panel, and fender, convenient and practical. With the wheel mount option, spin the wheels making painting quick and easy. •Packing: 1 PC/CTN

TECHNICAL PARMS	
N.W(kg)	35
G.W(kg)	37
Package size(cm)	117X43X19



GT-9652 Ultra panel rack

This is a specified paint stand for engine hood, door panel, and fender, convenient and practical. •Packing: 1 PC/CTN

TECHNICAL PARMS	
N.W(kg)	25.5
G.W(kg)	27.5
Package size(cm)	117X43X19



GT-9652E Ultra panel rack

This is a specified paint stand for engine hood, door panel, and fender, convenient and practical. •Packing: 1 PC/CTN

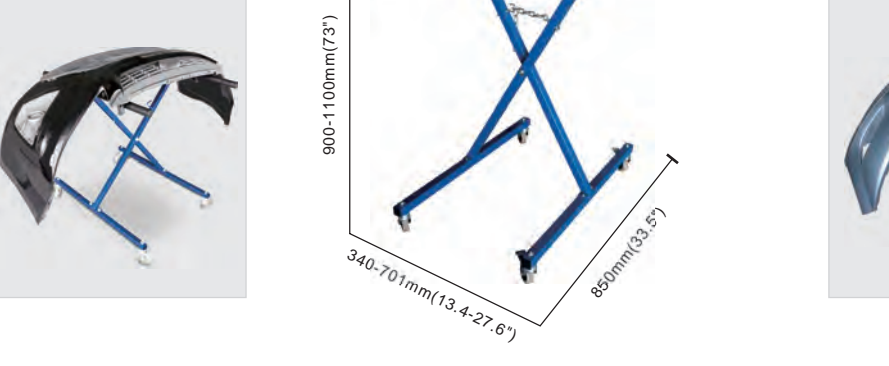
TECHNICAL PARMS	
N.W(kg)	22
G.W(kg)	24
Package size(cm)	117X43X19



GT-9653X X shape work stand

This X shape stand is made of steel pipes which are bended and powder coating. By adjusting the chains over two sides can make different heights. The stands are covered with PU form pad, which can protect bumpers and windshields against scratching. It is folding and unfolding freely, and save space.

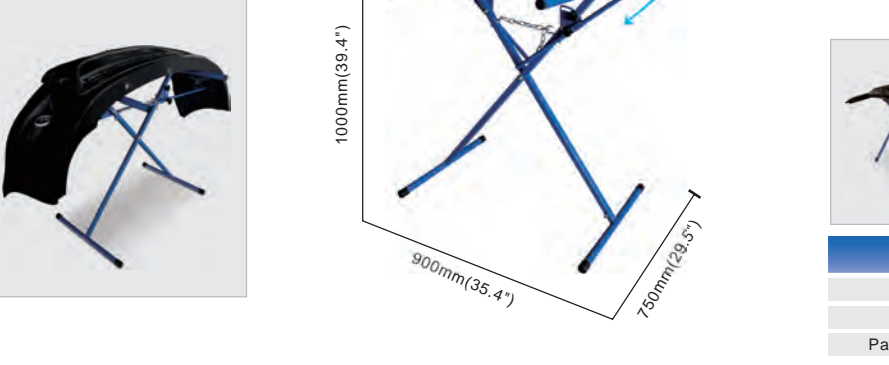
TECHNICAL PARMS	
N.W(kg)	9.5
G.W(kg)	11
Package size(cm)	104X23X11



GT-9653XT X shape work stand

This X shape stand is made of steel pipes which are bended and powder coating. By adjusting the chains over two sides can make different heights. The locking late in junction can fix the stand in a proper height.

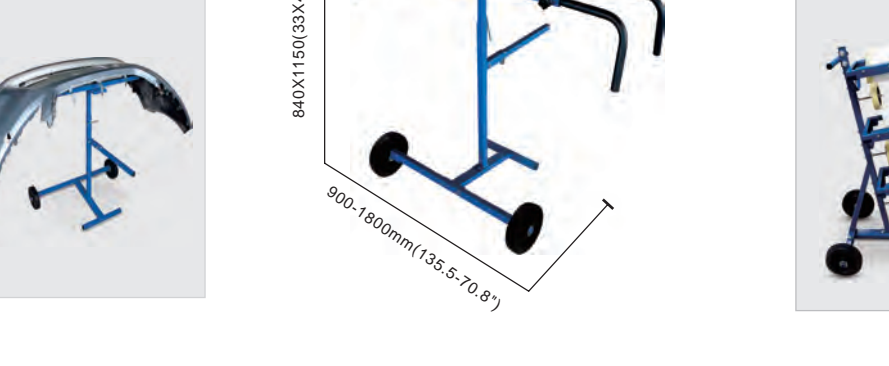
TECHNICAL PARMS	
N.W(kg)	8.5
G.W(kg)	9
Package size(cm)	119X21X10



GT-9653T Versatile Bumper Stand

This versatile stand can be adjusted to various lengths and heights, accommodating different bumper and panel sizes. Its four adjustable arms and mobile design with wheels and handle make it a convenient tool for any workspace.

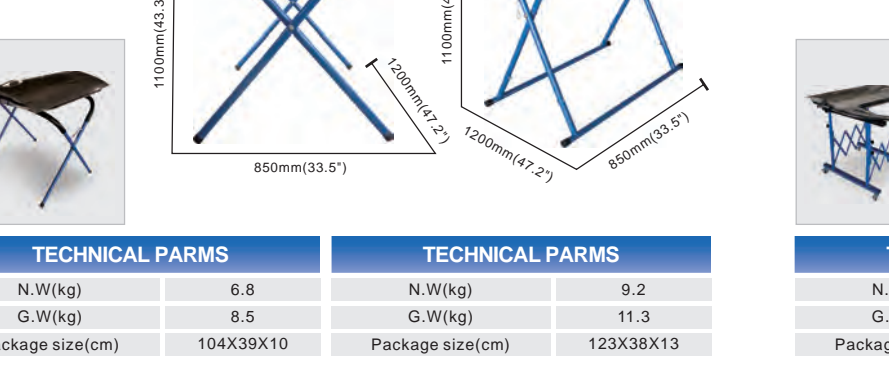
TECHNICAL PARMS	
N.W(kg)	15.6
G.W(kg)	16.5
Package size(cm)	88X38X11



GT-9653/GT-9653L X shape work stand

This X shape stand is made of steel pipes which are bended and powder coating. By adjusting the chains over two sides can make different heights. The stands are covered with PU form pad, which can protect bumpers and windshields against scratching. It is folding and unfolding freely, and save space.

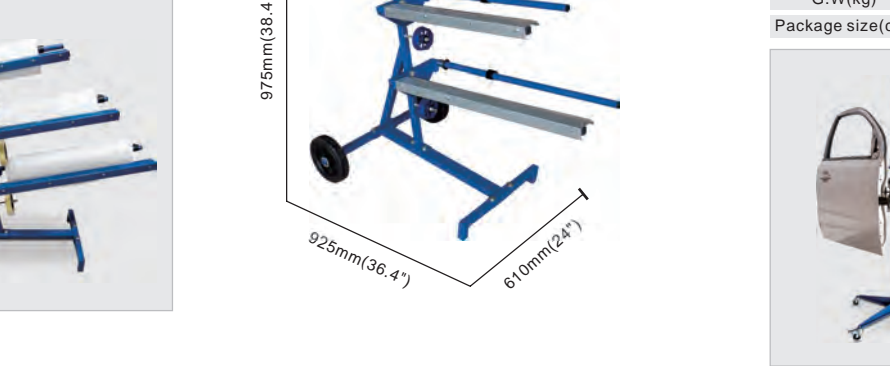
TECHNICAL PARMS	
N.W(kg)	6.8
G.W(kg)	8.5
Package size(cm)	104X39X10



GT-9654 Masking Paper Dispenser

The ideal choice for quick and easy masking in auto body repair. Sturdy and durable steel construction. Multifunctional storage with 3rods for holding paper rolls and tape rolls.

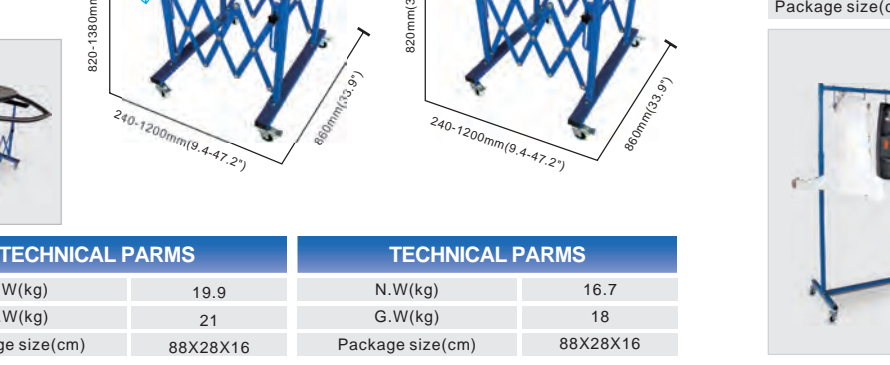
TECHNICAL PARMS	
N.W(kg)	13
G.W(kg)	15
Package size(cm)	97X30X18



GT-9626/GT-9626E Scalable Stand

This stand is convenient for placement of door, bumper or hood moving or repairing. •Stable structure with telescopic double spring. •With anti-slip Rubber cover to protect surface. •Length are adjustable, and PS105's high is adjustable. •Packing: 1 PC/CTN

TECHNICAL PARMS	
N.W(kg)	19.9
G.W(kg)	21
Package size(cm)	88X28X16



PART CART

GT-9655 Panel Tree Paint Stand

Ideal for doors, fenders, and bumpers: effortlessly hang parts for precise painting with an adjustable center post. Adjustable height for comfort: find your perfect working height easily, reducing strain. Even coverage, no missed edges: engineered to prevent missed spots for a flawless finish.

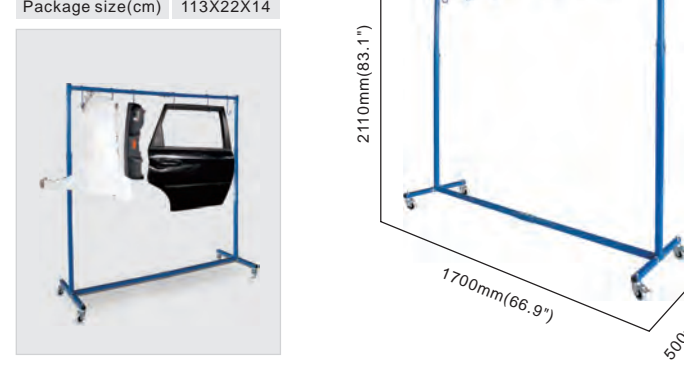
TECHNICAL PARMS	
N.W(kg)	12
G.W(kg)	12.5
Package size(cm)	113X16X11



GT-9656ES Bumper stand & Paint hanger

Versatile bumper cover storage stand with adjustable support arms. Efficient space utilization: customizable support arms securely accommodate large bumper covers, ensuring optimal use of space. Quick and easy adjustments: support arms can be swiftly repositioned to meet your specific storage requirements.

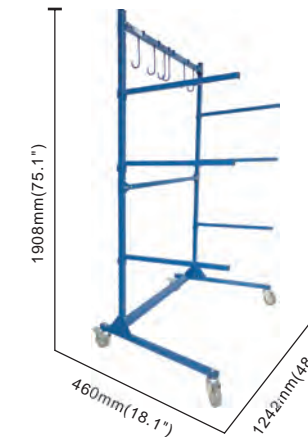
TECHNICAL PARMS	
N.W(kg)	14.4
G.W(kg)	16
Package size(cm)	113X22X14



GT-9656 Bumper stand & Paint hanger

Versatile bumper cover storage stand with adjustable support arms efficient space utilization: customizable support arms securely accommodate large bumper covers, ensuring optimal use of space.
 Added functionality: the PS 301 model comes with hooks for conveniently hanging small parts.

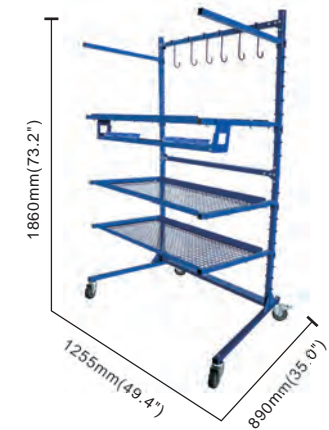
TECHNICAL PARMS	
N.W(kg)	26
G.W(kg)	27
Package size(cm)	108X13X21



GT-9657 Parts Cart

3-Shelf Parts Cart: efficient storage and transportation solution
 Space-Efficient Design: easily foldable to minimize floor space usage, ideal for compact storage.
 Durable Construction: crafted from steel tubing, ensuring sturdiness and longevity beyond standard market options.

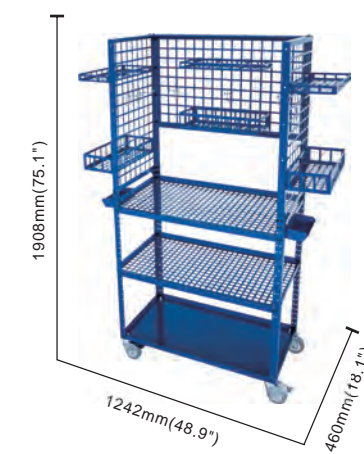
TECHNICAL PARMS	
N.W(kg)	40
G.W(kg)	42
Package size-A(cm)	180x13X17
Package size-B(cm)	108X62X14



GT-9659 Material Cart

Purpose-built: tailored for the temporary storage of tools and parts, enhancing productivity in car body shops. Mobility and stability: easily maneuverable with durable casters, complete with brakes for secure placement.
 Clear organization: designed for the straightforward storage and visibility of various parts and materials.

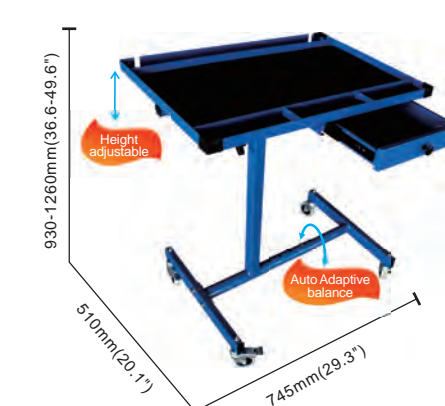
TECHNICAL PARMS	
N.W(kg)	28
G.W(kg)	31
Package size(cm)	56X91X28



GT-9627 Mobile Work Table

Ergonomic height adjustment: seamlessly transition between 36.6 to 49.6 inches using the telescopic post, catering to diverse work needs.
 Ample Work Space: enjoy a spacious 29" x 20" tray, complete with a scratch-resistant rubber lining and tool-stabilizing surface.

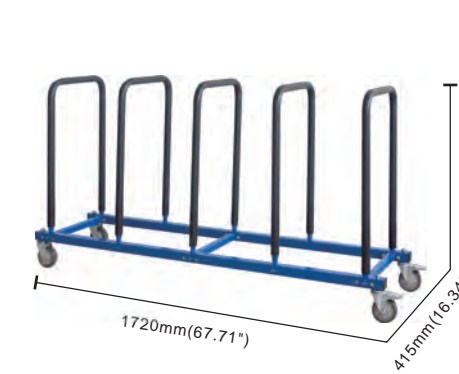
TECHNICAL PARMS	
N.W(kg)	19
G.W(kg)	20
Package size(cm)	81X54X20



GT-9661 Tyre Set Rack

This stand is convenient for placement of door, bumper or hood moving or repairing.
 Stable structure with telescopic double spring.
 With anti-slip Rubber cover to protect surface.
 Length are adjustable, and PS105's height is adjustable.
 Packing: 1 PC/CTN

TECHNICAL PARMS	
N.W(kg)	27.7
G.W(kg)	30
Package size(cm)	173x42x14



GT-9663 Multifunctional Welding Cart

Versatile design: Ideal for place of equipment including small spotter, small welder, plasma cutter, and welding tools, suitable for both indoor and outdoor use.
 supports up to 260lbs with ease. Smooth mobility: features four heavy-duty pvc wheels(casters) for stable, effortless maneuverability, even under heavy loads.
 Simple assembly: comes with a detailed instruction manual, ensuring quick and hassle-free setup.

TECHNICAL PARMS	
N.W(kg)	16
G.W(kg)	19
Package size(cm)	75x55x25

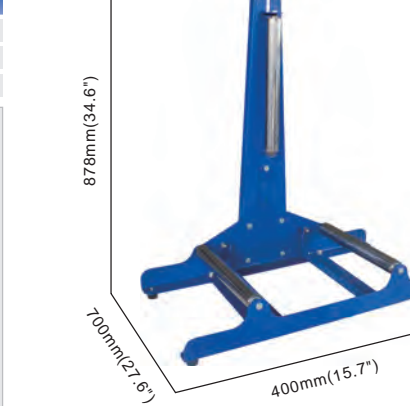


WHEEL RACK

GT-9665 Multi functional rotating spray paint stand

Ideal for ceramic coating and protection: enhances wheel maintenance with efficient application. Facilitates deep cleaning and polishing: streamlines the cleaning and polishing process.

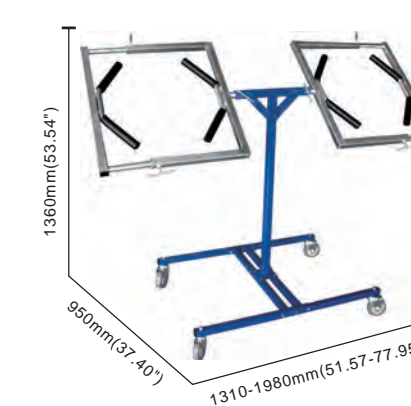
TECHNICAL PARMS	
N.W(kg)	10.6
G.W(kg)	12
Package size(cm)	78X19X10



GT-9667 Auto wheel hub repair paint frame

This highly adjustable stand allows you to rotate the wings a full 360° giving you access to both sides of your wheels. It can fit a variety of wheel sizes and can be raised or lowered to fit your preferred height.

TECHNICAL PARMS	
N.W(kg)	21.8
G.W(kg)	23.6
Package size(cm)	96x62x14



GT-9656S Bumper stand & Paint hanger

Versatile bumper cover storage stand with adjustable support arms efficient space utilization: customizable support arms securely accommodate large bumper covers, ensuring optimal use of space.
 Quick and easy adjustments: support arms can be swiftly repositioned to meet your specific storage requirements.

TECHNICAL PARMS	
N.W(kg)	26
G.W(kg)	27
Package size(cm)	105X18X24



GT-9658 Parts Cart

6-shelf parts cart: efficient storage and transportation solution
 Space-efficient design: easily foldable to minimize floor space usage, ideal for compact storage.
 Durable construction: crafted from steel tubing, ensuring sturdiness and longevity beyond standard market options.

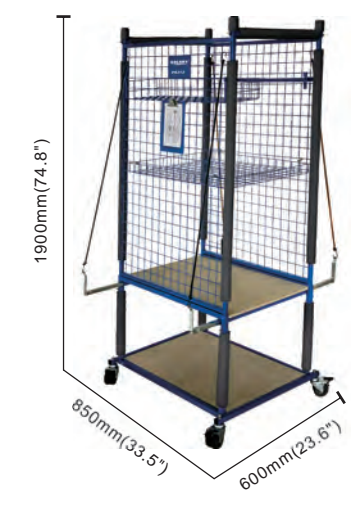
TECHNICAL PARMS	
N.W(kg)	48
G.W(kg)	57
Package size-A(cm)	108X13X17
Package size-B(cm)	108X62X35



GT-9660 Storage trolley

- Double wheels for the ease of mobility in spray booth.
- Provide good protection for parts with foam.
- Clear categorization system.
- Extra room for big parts.

TECHNICAL PARMS	
N.W(kg)	46
G.W(kg)	51
Package size(cm)	137X89X21.5



GT-9627-1 Mobile Work Table

Immediate Tool Access: with this mobile work table, all your essential tools are readily at hand, ensuring seamless vehicle maintenance.
 Adjustable and Compact: easily modify the height from 35.3 to 55.6 inches to suit various tasks, and when not in use, fold it down for space-efficient storage.

TECHNICAL PARMS	
N.W(kg)	19
G.W(kg)	20
Package size(cm)	79X69X18



GT-9662 Windshields and Engine Hoods Storage Rack

This specialized storage rack is designed to securely hold and organize both automotive windshields and engine hoods.
 The rack features adjustable shelving to accommodate different sizes and shapes of parts, ensuring flexibility and efficient use of space.

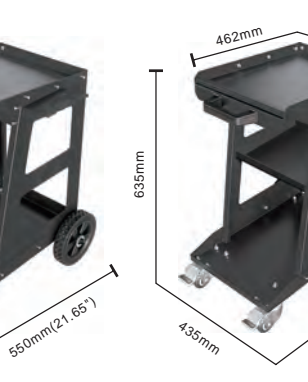
TECHNICAL PARMS	
N.W(kg)	24.1
G.W(kg)	27.3
Package size(cm)	151X54X21



GT-9664 / GT-9664-1 Multifunctional Welding Cart

Versatile Design: Ideal for place of equipment including small spotter, small welder, plasma cutter, and welding tools, suitable for both indoor and outdoor use.
 supports up to 260lbs with ease. Smooth Mobility: Features four heavy-duty pvc wheels(casters) for stable, effortless maneuverability, even under heavy loads.
 Simple assembly: comes with a detailed instruction manual, ensuring quick and hassle-free setup.

TECHNICAL PARMS	
N.W(kg)	11
G.W(kg)	14
Package size(cm)	60x45x15

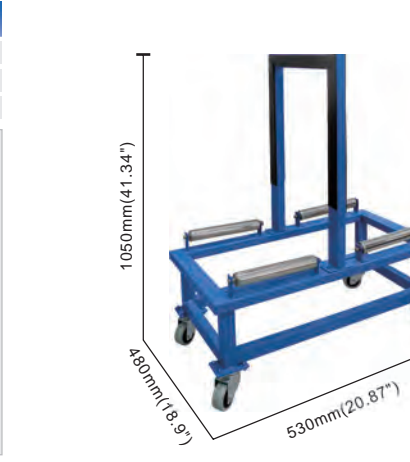


TECHNICAL PARMS	
N.W(kg)	12
G.W(kg)	15
Package size(cm)	60.5x45.5x15.5

GT-9666 Tyre Set Rack

Setting Tyre ideal rack, both sides are roller design, make the tyre can be roll easy, convenient to check the tyre. Univer-sal belt brake wheel, make the work rack move easy, practical. This rack use plas-tic-spray, more beautiful. Reduce the labor intensity, easy to operate, beautiful and tidy, improve the work effect.

TECHNICAL PARMS	
N.W(kg)	27.7
G.W(kg)	30
Package size(cm)	82X42X15



GT-9668 Auto wheel hub repair paint frame

This highly adjustable stand allows you to rotate the wings a full 360° giving you access to both sides of your wheels. It can fit a variety of wheel sizes and can be raised or lowered to fit your preferred height.

TECHNICAL PARMS	
N.W(kg)	34.5
G.W(kg)	36.6
Package size(cm)	129x62x12

